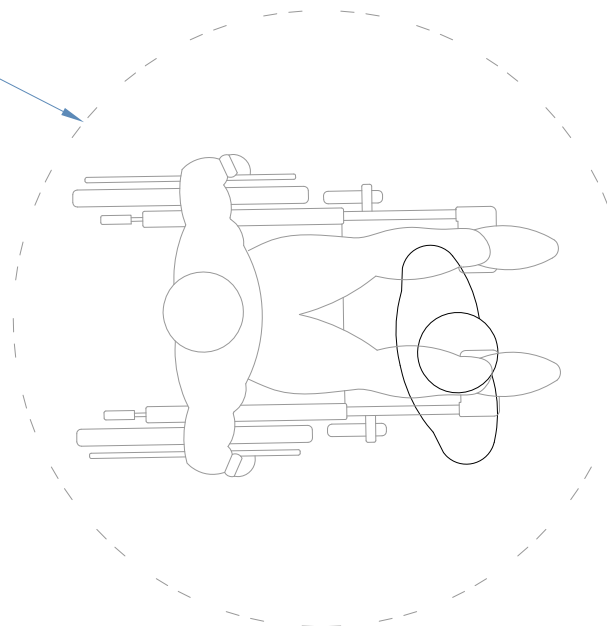
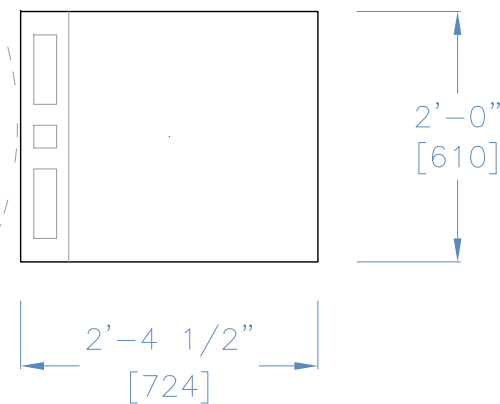


5' WHEELCHAIR
TURNAROUND
RADIUS



top view



A-1

BASIC DIMS

PROJECT

TEACHING STATION JR
UoT AV CONTROL BASE FOR
MEDIUM SIZE CLASSROOMS

DATE

UPDATED JAN 2013

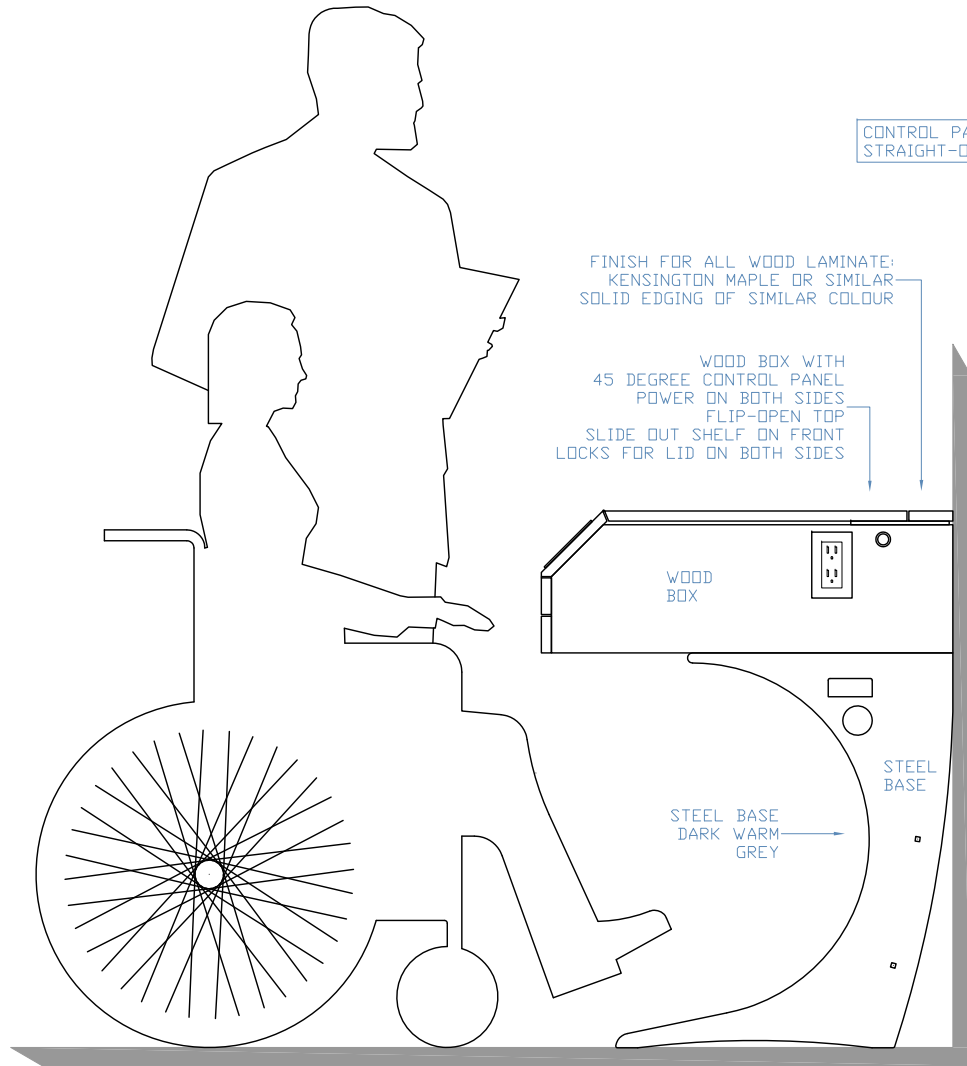
DRAWING

BURL CRONE (UoT)
burl.crone@utoronto.ca

NOTE

BUILDER MAY MAKE INCREMENTAL
CHANGES FOR CONSTRUCTION
PURPOSES AS LONG AS
FUNCTION IS RETAINED





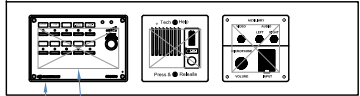
CONTROL PANEL STRAIGHT-ON VIEW

FINISH FOR ALL WOOD LAMINATE:
KENSINGTON MAPLE OR SIMILAR
SOLID EDGING OF SIMILAR COLOUR

WOOD BOX WITH
45 DEGREE CONTROL PANEL
POWER ON BOTH SIDES
FLIP-OPEN TOP
SLIDE OUT SHELF ON FRONT
LOCKS FOR LID ON BOTH SIDES

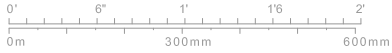
STEEL BASE
DARK WARM
GREY

STEEL
BASE

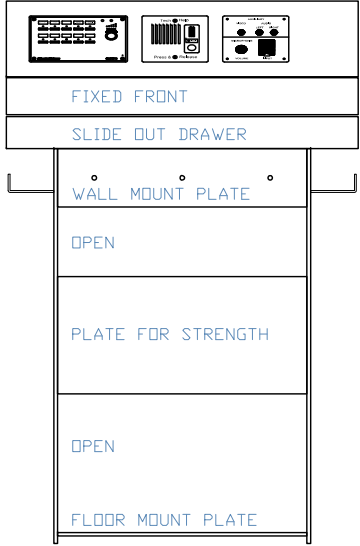


GREY SHOWS CUT-OUTS
AND PILOT HOLES

ACTUAL CONTROL PLATES TO
BE INSTALLED BY UoFT



45 DEG TILTED CONTROL PANEL



FIXED FRONT

SLIDE OUT DRAWER

WALL MOUNT PLATE

OPEN

PLATE FOR STRENGTH

OPEN

FLOOR MOUNT PLATE

A-2

DESCRIPTION

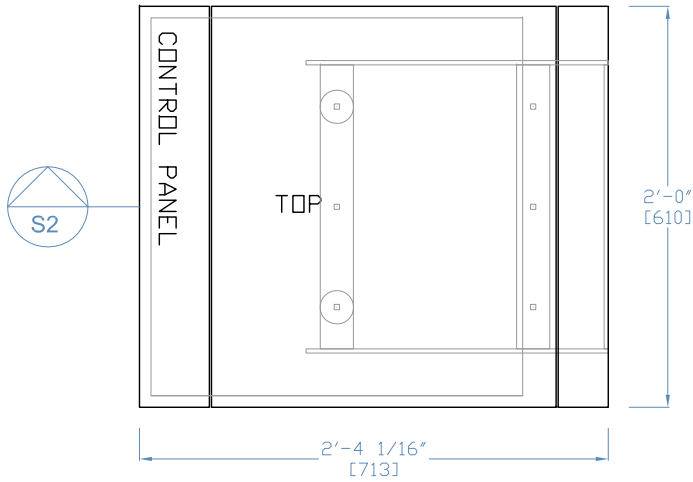
PROJECT
TEACHING STATION JR
UoFT AV CONTROL BASE FOR
MEDIUM SIZE CLASSROOMS

DATE
UPDATED JAN 2013

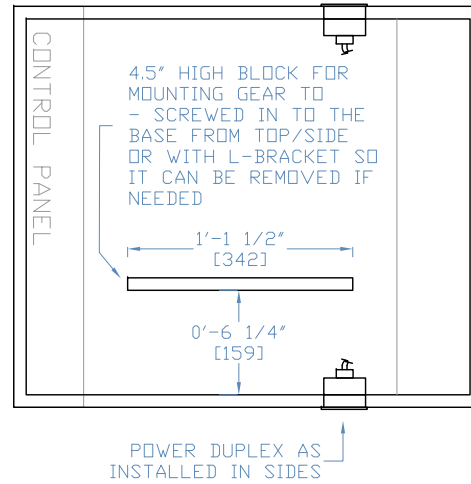
DRAWING
BURL CRONE (UoFT)
burl.crone@utoronto.ca

NOTE
BUILDER MAY MAKE INCREMENTAL
CHANGES FOR CONSTRUCTION
PURPOSES AS LONG AS
FUNCTION IS RETAINED

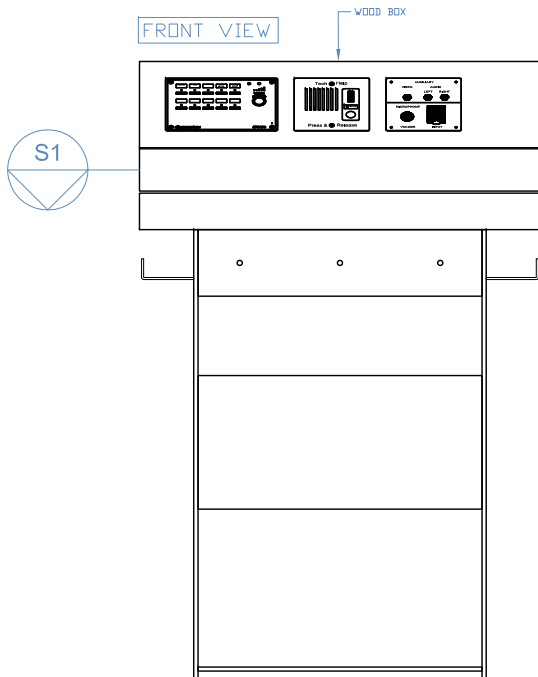
TOP VIEW
GREY IS FRAME UNDERNEATH



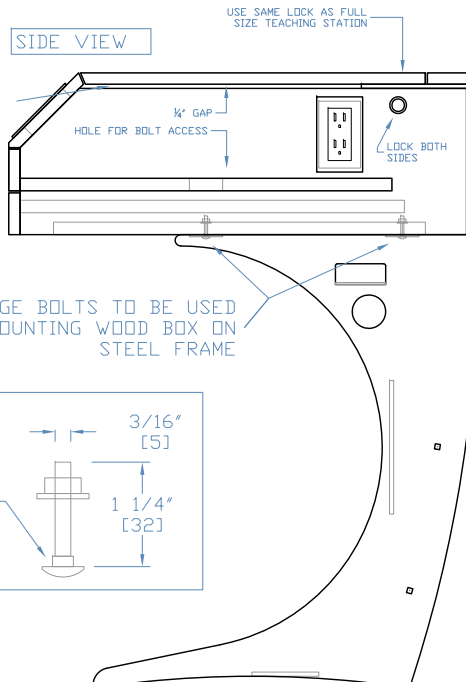
SECTION VIEW FROM TOP
SHOWING BOX CUT-THROUGH AND
INTERIOR MOUNTING BLOCK



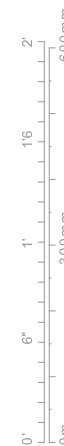
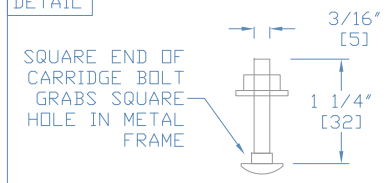
FRONT VIEW



GAP 1/8 to 1/4" FOR VENTILLATION



DETAIL



A-3
SECTION

PROJECT
TEACHING STATION JR
UoT AV CONTROL BASE FOR
MEDIUM SIZE CLASSROOMS

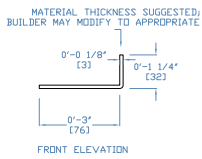
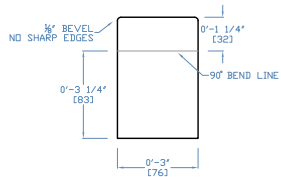
DATE
UPDATED JAN 2013

DRAWING
BURL CRONE (UoT)
burl.crone@utoronto.ca

NOTE
BUILDER MAY MAKE INCREMENTAL
CHANGES FOR CONSTRUCTION
PURPOSES AS LONG AS
FUNCTION IS RETAINED

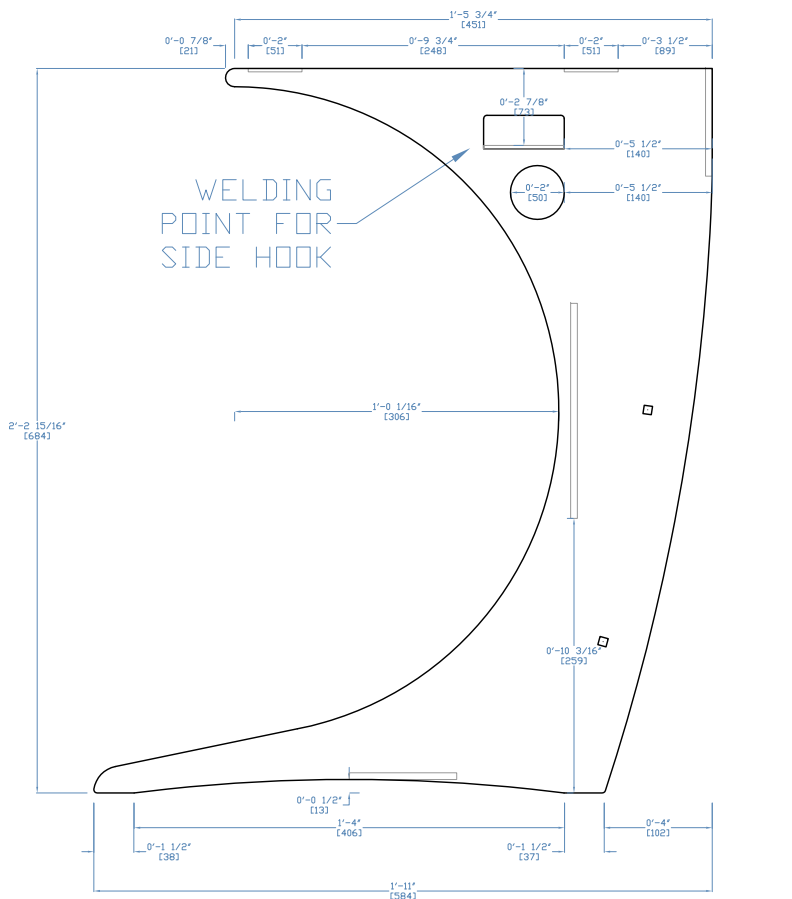


STEEL FRAME



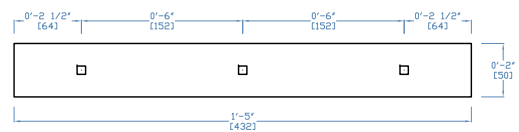
SIDE HOOK x2
EXTERIOR SIDES

SIDE PIECE x2
GREY LINES SHOW WELDING POINTS

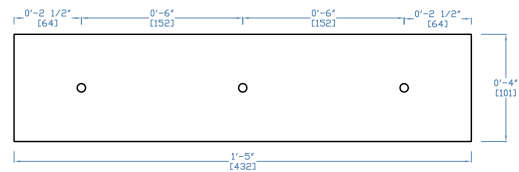


WELDING POINT FOR SIDE HOOK

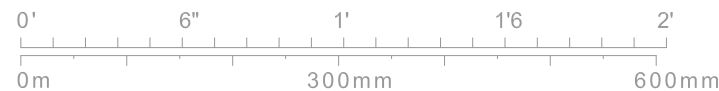
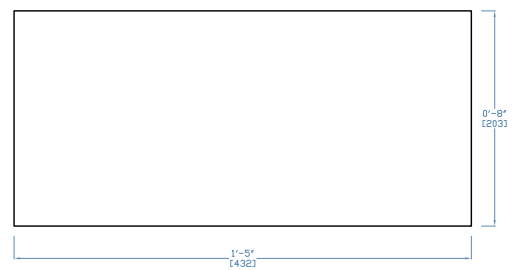
CROSS PIECE x2
FIXES BOX TO FRAME (TOP)
1/8" THICK



CROSS PIECE x2
BACK AND BOTTOM MOUNTS
1/4" THICK



CROSS PIECE x1
MIDDLE
1/8" THICK



A-4
METALWORK

PROJECT
TEACHING STATION JR
UoT AV CONTROL BASE FOR
MEDIUM SIZE CLASSROOMS

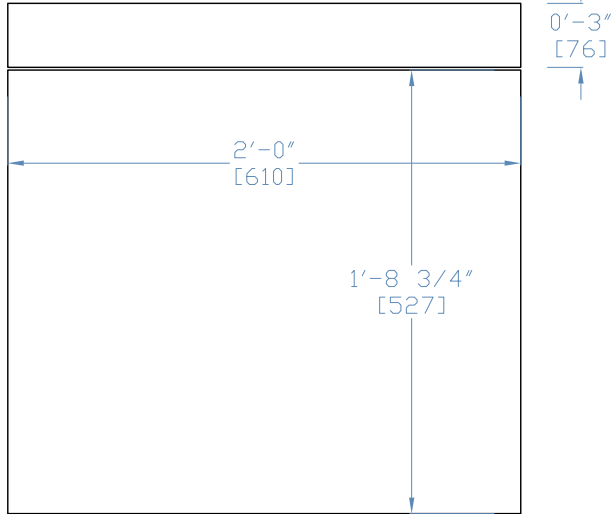
DATE
UPDATED JAN 2013

DRAWING
BURL CRONE (UoT)
burl.crone@utoronto.ca

NOTE
BUILDER MAY MAKE INCREMENTAL
CHANGES FOR CONSTRUCTION
PURPOSES AS LONG AS
FUNCTION IS RETAINED

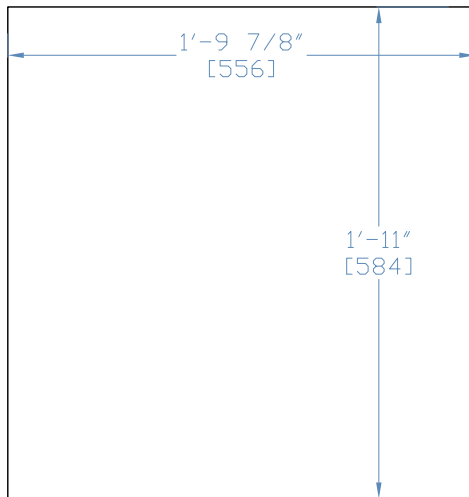


TOP BACK (FIXED) x1



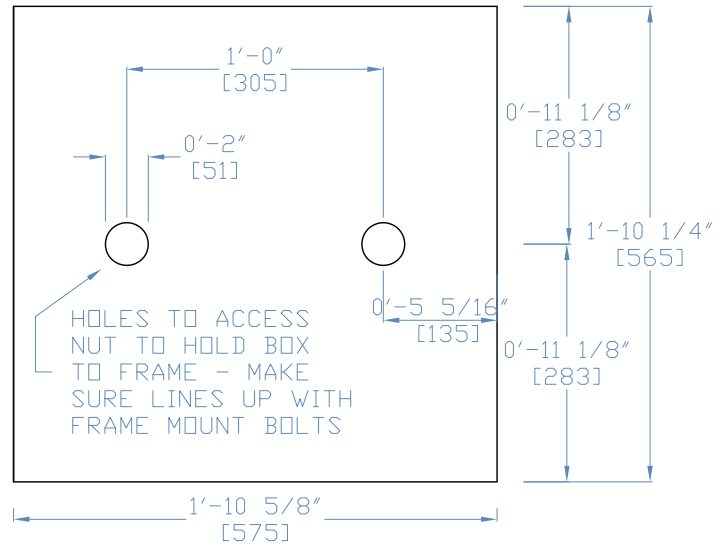
TOP FRONT (OPENS) x1

EDGE CUT BACK AT 68 DEGREES

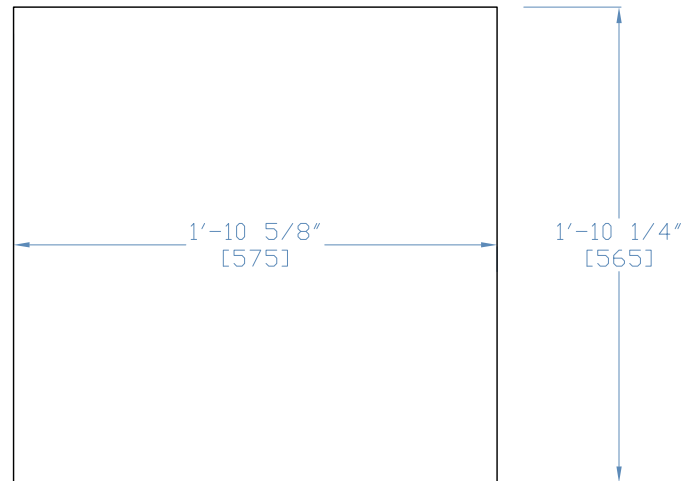


SHELF (1" THICK) x1

BOTTOM (ABOVE RETRACTABLE SHELF) x1



BOTTOM (BELOW RETRACTABLE SHELF) x1



A-5

WOOD BOX A

PROJECT

TEACHING STATION JR
UoT AV CONTROL BASE FOR
MEDIUM SIZE CLASSROOMS

DATE

UPDATED JAN 2013

DRAWING

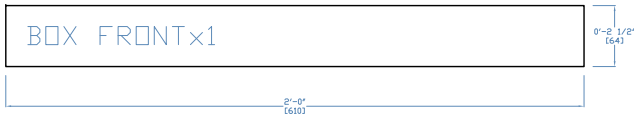
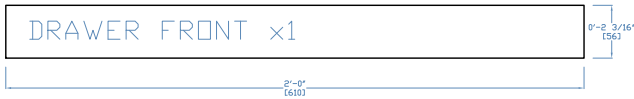
BURL CRONE (UoT)
burl.crone@utoronto.ca

NOTE

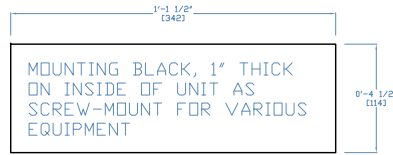
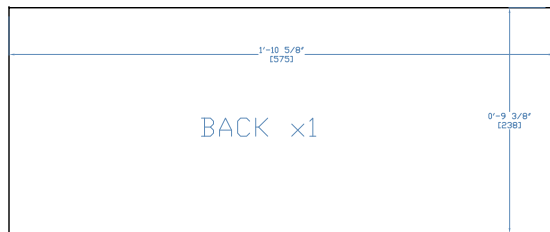
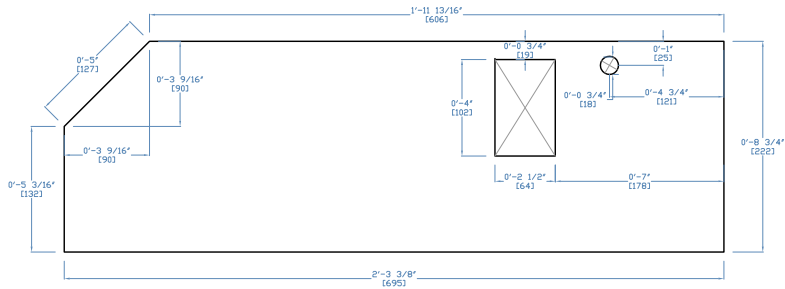
BUILDER MAY MAKE INCREMENTAL
CHANGES FOR CONSTRUCTION
PURPOSES AS LONG AS
FUNCTION IS RETAINED



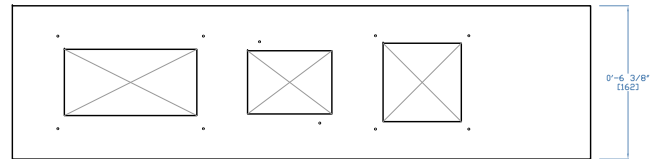
WOOD BOX PAGE 2



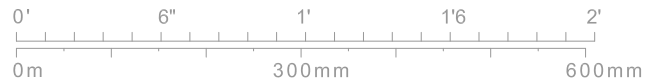
SIDE x2
 CUT-OUTS AND DRILL HOLES SHOWN
 - BUILDER TO DETERMINE LOCK & POWER
 HOLES SIZES; ESTIMATES SHOWN



CONTROL PANEL, HOLES SHOWN x1



BUILDER TO SORT OUT
 EDGES / SOLID MATERIAL
 FOR THIS PLATE



A-6

WOOD BOX B

PROJECT
 TEACHING STATION JR
 UoT AV CONTROL BASE FOR
 MEDIUM SIZE CLASSROOMS

DATE
 UPDATED JAN 2013

DRAWING
 BURL CRONE (UoT)
 burl.crone@utoronto.ca

NOTE
 BUILDER MAY MAKE INCREMENTAL
 CHANGES FOR CONSTRUCTION
 PURPOSES AS LONG AS
 FUNCTION IS RETAINED